

Prosiding RSF-2 2021_Laila Nafisah-AM

by Laila Nafisah

Submission date: 12-May-2023 05:44PM (UTC+0700)

Submission ID: 2091244506

File name: RSF_LPPM_2021_LN-AM.pdf (514.76K)

Word count: 3994

Character count: 20003

Deterioration Item Inventory Policy with Sales Discount under Order Quantity Discount and Permissible Delay in Payments

Laila Nafisah¹, Mohammad Ekky Nugraha², Ahmad Muhsin³

^{1,2,3}Department of Industrial Engineering, UPN Veteran Yogyakarta, Indonesia

Abstract

Most of the items sold at supermarkets have an expiration date. While many suppliers offer discounts and allow non-cash payments during certain time intervals. Supermarkets has the opportunity to take this offer so that profits can be increased, but they are faced with the nature of goods that have a shelf life. The greater the number of items stored, the greater the risk of expiration. Therefore, it is necessary to regulate the right inventory control policy so that the total costs incurred can be minimized. In this paper, it will be developed a multi-item inventory model of deteriorating item with sales discounts, all unit quantity discount from supplier and permissible delay in payments. The aim is to determine the right policy for controlling the inventory of items that have an expiration date in order to minimize losses and total inventory costs. This model is expected to help supermarkets in determining the optimal number of orders and when to place orders so as to minimize total inventory costs. The model solution is carried out with an optimization approach based on the parameters that affect the model. A numerical example is given at the end of this paper for model validation and illustrates the model solving algorithm.

Keywords: inventory model, deterioration, sales discount, all unit quantity discount, permissible delay in payments



14

This is an open access article under the CC-BY-NC license

INTRODUCTION

Inventory is an idle resource, so its existence can be seen as a waste and this means a burden for a business unit in the form of higher costs. One product that often causes waste in inventory is a product that has an expiration date. Therefore, its existence needs to be minimized.

Pamella Supermarket is a retailer that sells various kinds of daily necessities. One of the most important parts in this supermarket is the food and beverage products section. As a manager, Pamella swalayan pays special attention and good supervision to this section because it concerns the product expiration period. Quality, health, and consumer safety are the basis of services that are very important to be considered by the manager in providing products to consumers. If this is ignored, it is very dangerous for consumers and results in losses for managers. Problems will arise when there are a number of products that have passed the expiration date and the product cannot be returned. Then the product must be destroyed and become Pamela's responsibility. Of course, if this happened it would be a loss for Pamela. Therefore, Pamela Supermarket has made a policy of providing price discounts on products that are approaching expiration in the hope that it will attract consumers so that it will increase purchasing power or consumer desire to buy, which in the end Pamela does not suffer a greater loss.

So far, Pamela Supermarket has collaborated with several suppliers. One form of cooperation is when the goods have been received by Pamela, the supplier allows payment within a certain period of time or there is a period of delay in payment to the supplier. In addition, the supplier also provides a discount if the purchase is made in a certain minimum quantity. So that the more products purchased in the amount specified by the supplier, the price per unit of goods will be lower. When the supplier offers a price discount for any of the reasons, the retailer need to choose whether it will buy or not based on the benefits achieved by utilizing the policy of allowing delays in payments by suppliers (Ouyang, 2009). So far, Pamela supermarkets often buy products in large quantities to benefit from discounts provided by suppliers. The problem is that the more products purchased, the more invested capital that cannot be used for other, more profitable purposes and the greater the risk of expired products. The fewer products

Corresponding author:

laila@upnyk.ac.id

DOI: 10.31098/cset.v1i1.333

Research Synergy Foundation

available, the greater the possibility of inventory shortages. As a result, the greater the loss of opportunities for profit. Therefore, inventory control of goods that have an expiration date is very necessary to avoid losses that arise even greater due to the expiration of goods (Nafisa et al., 2016a).

There are three factors that need to be considered in controlling the inventory of goods at Pamela supermarkets, the first factor is that the product has an expiration date, the second factor is whether or not each order in large quantities is necessary to get the benefits obtained from discounts given by suppliers that are all unit discounts, and the purchase of products together (joint orders), the third factor is the allowable delay in payment of products by suppliers. Referring to these three factors, this research will develop a multi-item inventory model for products that are approaching expiration by considering discounts and payment delays. This research is an inventory model development based on a case study at Pamela Swalayan. It is hoped that this proposed model can help Pamela Supermarket in determining the optimal order quantity, when the order should be made, so as to minimize the total inventory cost.

LITERATURE REVIEW

Inventory has an important and strategic position, because it has a major impact on the company's performance. The investment value of inventories at the factory level ranges from 25 – 35% of the total assets owned. Meanwhile, at the wholesaler, distributor and retailer level, they are in the range of 15 - 90% of the total product cost (Tersine, 1994). Most of the goods managed by retailers are perishable goods and have a limited shelf life which accounts for more than 54% of the total store sales (Nafisa et al., 2016).

The inventory problem of deteriorating items was first studied by Whitin (1957), then Ghare and Schrader (1963) concluded in their study that the consumption of the deteriorating items was closely relative to a negative exponential function of time. And then, research on inventory control for deterioration items was carried out intensively by several researchers, including Li et al. (2010), Nafisah et al (2016a, 2016b), Singh (2016), Khorasani & Almasifard (2017), Uthayakumar & Karuppasamy (2017), Pervin et al. (2018) and Babu et al (2020).

In the classic Economic Order Quantity (EOQ) model it is assumed that the buyer must pay for the goods as soon as goods are received by the customer. However, it often happens that the supplier will give permission for a certain period of time to settle the amount owed to him for the goods supplied. Generally, there is no charge if the amount owed is settled within the allowable fixed settlement period. After the end of this period, interest will be charged. Goyal (1985) was first developed an EOQ model under the condition of permissible delay in payments. Then then followed by several other researchers such as Seifert (2016), Farhangi & Mehdizadeh (2016), Jaggi (2017), Behera (2017), Benkherouf & Gilding (2017), and Kumar & Uthayakumar (2019).

This paper will collab and modify several basic models of inventory control to make a multi-item inventory model of deteriorating item with sales discounts, all unit quantity discount from supplier and permissible delay in payments. The model in this study is the development of the model developed by Nafisah (2016a) and Nafisah et al (2016b) by considering the real system conditions that occur in Pamela supermarkets. The difference with the Nafisah model (2016a) is that in this study the discount considered is all unit quantity discount, while in Nafisah (2016a) it is an incremental discount.

This paper consists of five parts. The first contains an introduction, the second contains is literature review, the third part is mathematical formulation. Then the four and final part is a numerical example to illustrate the model and conclusions of the research.

MATHEMATICAL FORMULATION

A. Notations and assumptions

The parameter notation used in this model is as follows:

P_j : unit purchase cost applicable to orders whose lot size falls in the interval U_0 to U_{k+1}

D_i	: annual demand rate of item i , $i = 1, 2, \dots, n$
Q_{ikd}	: quantity of product near the expiration date of item i
A	: ordering cost for the joint order
h_i	: annual holding cost per item per year excluding interest charges, $h_i = P_i i$
\bar{I}_i	: average inventory item i for a year
T	: time interval between successive orders
Q_i	: order quantity of item i
J_i	: unit selling price of item i that is close to expiration
E_i	: unit normal selling price per unit of item i
R_i	: lost profit margin due to discount
t_1	: time interval before discount
t_2	: time interval after discount
U_0	: minimum quantity that can be purchase
U_{k+1}	: maximum quantity
Δ	: difference in profit margin lost after item i is discounted
t	: permissible delay in settling accounts
I_d	: interest which can be earned per \$ in a year
I_c	: interest charges per \$ investment in stocks per year
B_1	: cost of interest charges per \$ investment in stocks per year
B_2	: cost of interest which can be earned per \$ in a year
PC	: purchasing cost per year
OC	: ordering cost per year
HC	: holding cost per year
EC	: expired treatment cost per year
TC	: total annual variable cost

The assumptions and limitations used in this study are as follows:

- 1) Demand is deterministic
- 2) Lead time constant
- 3) Expiration date known
- 4) Lead time constant
- 5) Returns are not permitted by the supplier. Products that have expired will be destroyed
- 6) Time period is infinite
- 7) Products that are close to expiration are immediately sold out
- 8) The case is $T \geq t$

B. Mathematical model

The model that will be developed in this paper is a deterioration multi-item inventory model that considers sales discounts on products that are approaching expiration date, price discounts from suppliers in the form of all unit quantity discounts, and permissible delay in payment of products that have been received by Pamela supermarkets by the supplier. The proposed model is expected to produce an appropriate inventory control policy in determining the optimal product order quantity, when to place an order, and how long the delay in product payment has been received by Pamela so that the total inventory costs incurred can be minimized.

The objective function of this research is to minimize the total annual variable costs. Total annual variable costs (TC) consist of purchasing cost per year (PC), ordering cost per year (OC), holding cost per year (HC), expired treatment cost per year (EC), cost of interest which can be earned per year, and cost of interest charges in stocks per year.

1) Total purchasing cost per year

28

Suppliers offer price cuts for each item with an all-unit quantity discount policy. The unit purchase cost is defined as follows:

$$P_j = \begin{cases} P_0 & \text{for } U_0 \leq Q \leq U_1 \\ P_1 & \text{for } U_1 \leq Q \leq U_2 \\ \vdots \\ P_k & \text{for } U_k \leq Q \leq U_{k+1} \end{cases}, \quad \text{with } P_0 > P_1 > \dots > P_k \quad (1)$$

The purchasing cost item i per year

$$PC_i = P_i \cdot D_i$$

Total purchasing cost per year

$$PC = \sum_{i=1}^n P_i \cdot D_i \quad (2)$$

2) Total ordering cost per year

The product ordered is from the same supplier, so that a joint replenishment order is carried out.

The ordering cost item i per year

$$OC_i = \frac{A}{T}$$

Total ordering cost per year

$$OC = \frac{nA}{T} \quad (3)$$

3) Total holding cost per year

The holding cost item i per year is of the annual holding cost per unit (h_i) multiplied by the average inventory item i for a year (m_i).

$$HC_i = h_i \cdot m_i \\ = P_i \cdot I$$

m_i = (average inventory item i per cycle) x (amount of cycle per year)

The average inventory item i per cycle is average inventory item i during t_1 :

$$m_{t_1} = \frac{(Q_i - Q_{ikd})}{2} \cdot t_1$$

$$\text{While, } t_1 = \frac{(Q_i - Q_{ikd})}{D_i}$$

$$m_{t_1} = \frac{(Q_i - Q_{ikd})^2 \cdot 2D_i}{(Q_i - Q_{ikd})^2 \cdot 2Q_i}$$

$$m_i =$$

So that, the holding cost item i per year is

$$HC_i = \frac{P_i \cdot (Q_i - Q_{ikd})^2 \cdot 2Q_i}{(Q_i - Q_{ikd})^2 \cdot 2Q_i}$$

31

Total holding cost n item per year is

$$HC = \sum_{i=1}^n \frac{P_i \cdot (Q_i - Q_{ikd})^2 \cdot 2Q_i}{(Q_i - Q_{ikd})^2 \cdot 2Q_i} \quad (4)$$

4) Expired treatment cost per year

Expired treatment costs are costs that are lost due to discount treatment on products that are nearing expiration.

The normal sales are purchase price plus profit margin.

$$E_i = P_i + M_i$$

$$M_i = E_i - P_i$$

It is assumed that the lost profit margin due to discount treatment for products approaching expiration is $x\%$ of the profit margin at normal prices, then amount of profit margin lost due to discount is

$$R_i = xM_i \tag{5}$$

So that, unit selling price of item i after discount due to expiration is

$$J_i = E_i - R_i$$

The expired treatment cost item i per year is

$$EC_i = \left(\frac{Q_{ikd} \cdot R_i}{2} \right) \frac{D_i}{Q_i}$$

Total expired treatment cost per year is

$$EC = \sum_{i=1}^n \frac{Q_{ikd} R_i}{2T} \tag{6}$$

12

5) Cost of interest charges in stocks per year

Case $T \geq t$

When items are sold, and before the replenishment account is settled, the sales revenue is used to earn interest. When the replenishment account is settled, the situation is reversed, and effectively the items still

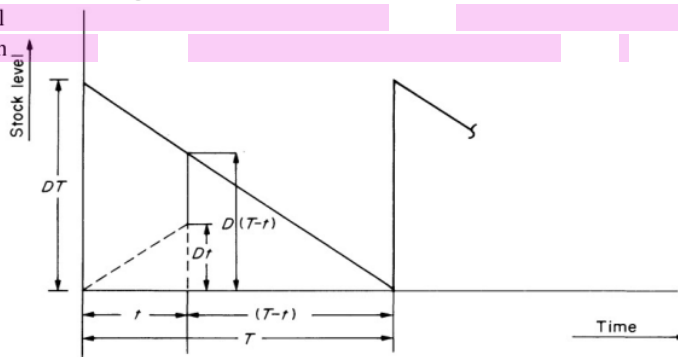


Fig. 1 Inventory position pattern with payment delay when $T \geq t$

The stock position subject to interest payable for item i during time $(T - t)$ per cycle is $D(T - t)$. The

average stock during time $(T - t)$ is average stock per cycle which is equal to $\frac{D(T-t)}{2}$ or

$$\frac{D(T-t)}{2}$$

Interest payable item i per cycle is $D P L \frac{(T-t)^2}{2}$

Interest payable item i per year is

$$B_{i1} = \frac{D_i P_i T I_c}{2} + \frac{D_i P_i t^2 I_c}{2T} - D_i P_i t I_c$$

Interest payable n item per year is

$$B_1 = \sum_{i=1}^n \left\{ \frac{D_i P_i T I_c}{2} + \frac{D_i P_i t^2 I_c}{2T} - D_i P_i t I_c \right\} \quad (7)$$

6) Interest earned during the permissible settlement period per year

Interest that can be earned per year due to allowable delays in payments. The maximum accumulated amount earning interest during the settlement period equals to

$$I = \begin{cases} Dtp, & \text{jika } T \geq t \\ DTp, & \text{jika } T < t \end{cases}$$

Case $T \geq t$

The stock position that earns interest for item i during time t per cycle is $D_i t$.

The average stock during time t is $\frac{D_i t^2}{2}$

Interest earned item i per cycle is $\frac{D_i P_i I_d t^2}{2}$

Interest earned item i per cycle per year is

$$B_{i2} = \frac{D_i P_i I_d t^2}{2T}$$

Interest earned n item per cycle per year are

$$B_2 = \sum_{i=1}^n \left\{ \frac{D_i P_i I_d t^2}{2T} \right\} \quad (8)$$

The total annual variable costs are

$$TC = PC + OC + HC + EC + B_1 - B_2$$

$$TC = \sum_{i=1}^n P_{ji} \cdot D_i + \frac{nA}{T} + \sum_{i=1}^n \frac{P_i \cdot I (Q_i - Q_{ikd})^2}{2Q_i} + \sum_{i=1}^n \frac{Q_{ikd} \cdot R_i}{2T} + \sum_{i=1}^n \left\{ \frac{D_i P_i T I_c}{2} + \frac{D_i P_i t^2 I_c}{2T} - D_i P_i t I_c \right\} - \sum_{i=1}^n \left\{ \frac{D_i P_i I_d t^2}{2T} \right\} \quad (9)$$

$$\text{Then } \frac{\partial TC}{\partial Q_{ikd}} = 0 \text{ and } \frac{\partial TC}{\partial T} = 0.$$

$$Q_{ikd}^* = \frac{Q_i \cdot P_i \cdot I - R_i \cdot D_i}{P_i \cdot I} \quad (10)$$

$$T^* = \sqrt{\frac{2nA + \sum_{i=1}^n \left(\frac{P_i \cdot I \cdot Q_{ikd}^2}{D} + Q_{ikd} \cdot R_i + D_i P_i t^2 I_c - D_i P_i I_d t^2 \right)}{\sum_{i=1}^n (P_{ji} \cdot D_i (I + I_c))}} \quad (11)$$

While,

$$Q_i^* = D_i \cdot T \quad (12)$$

C. Model Solution

The algorithm used in solving the developed model is as follows:

(1) Calculate the lost profit margin using equation (5)

(2) Calculate Q_i with all unit quantity discount

(a) Starting with the lowest unit cost, calculate $Q_i = \sqrt{\frac{2AD_i}{P_i \cdot I}}$ at each unit cost until a valid EOQ is obtained.

(b) Calculate TC for the valid EOQ and all price-break quantities larger than the valid EOQ.

- 5
-
- (c) Select the quantity with the lowest total cost in step (b) above.
- (d) Do the same calculation for other items.
- (3) Calculate Q_{ikd}^* for each price level based on the discount using equation (10), so that Q^* can be obtained based on the valid Q_i based on step (2). Do the same calculation for other items.
- (4) Calculate T^* using equation (11) with Q_{ikd}^* based on step (3).
- (5) Calculate Q_i^* using equation (12) with T^* step (4).
- (6) Calculate TC using equation (9).

FINDING AND DISCUSSION

In this section, validation of the model will be carried out, namely by applying the model to real cases at Pamella Swalayan. The parameters used are as follows: considering three items of products, $D_1 = 3540$, $D_2 = 3750$, $D_3 = 4150$, $A = 7500$, $E_1 = 4325$, $E_2 = 5545$, $E_3 = 6375$, $x = 14\%$, $k_c = 0.12$, $d = 0.07$, $l = 0.1$. Prices offered on order sizes up to 120 and more than 120 units for each product are $P_{11} = 3500$, $P_{12} = 3125$, $P_{21} = 4350$, $P_{22} = 4000$, $P_{31} = 5200$, $P_{32} = 4750$, the case of $t > T$.

The calculation results obtained from the above case are the optimal order quantity, Q^* for each item is 437, 463 and 512 unit, the quantity of the discounted product because it is approaching the expiration date Q_{ikd}^* of each item is 54, 58, and 56 unit, while interval between orders, T^* is 45 days with total inventory cost per year is IDR 46,729,700.

Based on the calculation results, it means that the inventory control policy used so that the total cost of inventory incurred is minimum, Pamella must take advantage of discounts offered by suppliers, provide sales discounts to reduce the risk of expired products, and joint orders. In addition, the developed model is valid and in accordance with the conditions that occur in Pamella Swalayan.

CONCLUSION AND FURTHER RESEARCH

In this paper, an inventory model has been developed for a deterioration multi-item that considers discounts on products that are approaching expiration date, price discounts from suppliers, and permissible delay in payment. This research is an inventory model development based on a case study at Pamella Swalayan.

Based on the implementation of the model that has been carried out in the case being faced by Pamella, it is found that the model is valid. This means that this model can be used as a problem solving method in Pamella Swalayan. Through this model, Pamella can have an appropriate inventory control policy in determining optimal order quantity, sales discount quantity, and interval between orders so that the total inventory costs incurred can be minimized.

This model there are still many weaknesses. So for further research can consider several aspects, including that probabilistic demand, demand is a function of price, shortage, product return, etc.

6

ACKNOWLEDGEMENT

The authors would like to thank the Institute for Research and Community Service at Universitas Pembangunan Nasional Veteran Yogyakarta, Indonesia, for providing funds for this research.

REFERENCES

- C.K. Jaggi, L.E. Cardenas-Barron, S. Tiwari and A.A. Shafi, "Two-Warehouse Inventory Model for Deteriorating Items with Imperfect Quality under The Conditions of Permissible Delay in Payments", *Scientia Iranica E*, (2017) 24(1), pp. 390-412.
- D. Seifert, R.W. Seifert, and O.H.D. Isaksson, "A Test of Inventory Models with Permissible Delay in Payment", *International Journal of Production Research*, May 18, 2016.
- Goyal, S.K., "Economic Order Quantity under Conditions of Permissible Delay in Payments", *The Journal of the Operational Research Society*, Vol. 36, No. 4 (Apr., 1985), pp. 335-338.

-
- H. M. Wee, "Economic Production Lot Size Model for Deteriorating Items with Partial Back Ordering" *The Journal of Compute & Industrial, Engineering*, 24 (3), 1993, pp. 449–458.
- L. Benkherouf and B.H. Gilding, "Optimal Replenishment Policies For Deteriorating Items And Permissible Delay In Payments" *IMA Journal Of Management Mathematics*, Volume 28, Issue 2, April 2017, pp. 235–243.
- L. Nafisah, M.S.A. Khannan, and S.A. Shidiq, "Economic Ordering Policy of Deteriorating Item with Incremental Discount under Permissible Delay in Payments", *ARPN Journal of Engineering and Applied Sciences*, Vol. 11, No. 16, pp. 9999-10003, August 2016b ISSN 1819-6608.
- L. Nafisah, W. Sally, and Puryani, "Model Persediaan pada Produk yang Mendekati Masa Kadaluwarsa: Mempertimbangkan Diskon Penjualan dan Retur", *Jurnal Teknik Industri*, Vol. 18, No. 1, Juni 2016a, 63-72 DOI: 10.9744/jti.18.1.63-72, ISSN (print) 1411-2485, ISSN (online), pp. 2087-7439.
- L.Y. Ouyang, C.T. Yang, and H.F. Yen, "Optimal Order Policy for Deteriorating Items in Response to Temporary Price Discount Linked to Order Quantity", *Tamkang Journal of Mathematics*, 2009, 40, pp. 383-400.
- M. Babu, M.H. Meeral, and P Muniappan, "An Incentive Supply Chain Model for Purchaser and Vendor with Deteriorating Products", *European Journal of Molecular & Clinical Medicine*, Vol. 7, Issue 2, 2020, pp. 5141-5144.
- M. Farhangi and E. Mehdizadeh, "A Multi-supplier Inventory Model with Permissible Delay in Payment and Discount", *Int. J. Industrial Mathematics*, (ISSN 2008-5621) Vol. 8, No. 3, 2016.
- M. Pervin, S.K. Roy, and G.W. Weber, "An Integrated Inventory Model with Variable Holding Cost under Two Levels of Trade-Credit Policy", *Numerical Algebra, Control and Optimization*, Volume 8, Number 2, June 2018, pp. 169–191.
- M.G. Kumar and R. Uthayakumar, "Multi Item Inventory Model with Variable Backorder and Price Discount under Trade Credit Policy in Stochastic Demand", *International Journal of Production Research*, Vol. 57, issue 1, 2019.
- N.P. Behera, "An Optimal Replenishment Policy for Deteriorating Items with Power Pattern under Permissible Delay in Payments", *International Journal of Statistics and Systems*, ISSN 0973-2675 Volume 12, Number 3 (2017), pp. 457-474.
- P. M. Ghare and G. P. Schrader, "A Model for An Exponentially Decaying Inventory", *Journal of Industrial Engineering*, Vol. 14, No. 5, 1963.
- R. Li, H. Lan, and J. Mawhinney, "A Review on Deteriorating Inventory Study", *Journal of Service Science & Management*, 3, 2010, pp. 117-129.
- R. Li, H. Lan, and J. Mawhinney, "A Review on Deteriorating Inventory Study", *Journal of Service Science & Management*, (3) 2010, pp.117-129.
- R. Uthayakumar and S.K. Karuppasamy, "An Inventory Model for Variable Deteriorating Pharmaceutical Items with Time Dependent Demand and Time Dependent Holding Cost under Trade Credit in Healthcare Industries", *Communications in Applied Analysis*, 21, No. 4 (2017), 533-549 ISSN: 1083-2564.
- S. Singh, "An Inventory Model for Perishable Items Having Constant Demand with Time Dependent Holding Cost", *Mathematics and Statistics*, 4(2): 58-61, 2016.
- S.T. Khorasani and M. Almasifard, "An Inventory Model with Quantity Discount Offer Policy for Perishable Goods in the Two-Level Supply Chain", *International Journal of Engineering and Technology (IJET)*, August 2017, ISSN (Print): 2319-8613, ISSN (Online): 0975-4024.
- T. M. Whitin, "Theory of Inventory Management", Princeton University Press, Princeton, NJ, pp. 62–72, 1957.

ORIGINALITY REPORT

17%

SIMILARITY INDEX

%

INTERNET SOURCES

17%

PUBLICATIONS

%

STUDENT PAPERS

PRIMARY SOURCES

- 1** S. K. Goyal. "Economic Order Quantity under Conditions of Permissible Delay in Payments", Journal of the Operational Research Society, 1985
Publication **3%**
- 2** Huang, C.K.. "An integrated inventory model under conditions of order processing cost reduction and permissible delay in payments", Applied Mathematical Modelling, 201005
Publication **2%**
- 3** Wengui Zhu, Zui Xu, Daoli Zhu. "EOQ and Optimal Credit Time Under Conditions of Permissible Delay in Payments", 2007 International Conference on Wireless Communications, Networking and Mobile Computing, 2007
Publication **1%**
- 4** R. Sundara Rajan, R. Uthayakumar. "Optimal pricing and replenishment policies for instantaneous deteriorating items with backlogging and trade credit under inflation", **1%**

5 Richard J. Tersine, Samir Barman, Richard A. Toelle. "Composite lot sizing with quantity and freight discounts", Computers & Industrial Engineering, 1995

Publication

6 Purwiyanta Purwiyanta, Ambar Pujiharjanto, Rini Dwi Astuti, Ploypailin Kijkasiwat. "The Causality of Financial Inclusion and Economic Growth in Indonesia", Jurnal Analisis Bisnis Ekonomi, 2022

Publication

7 A. K. Maiti, M. Maiti. "Discounted multi-item inventory model via genetic algorithm with Roulette wheel selection, arithmetic crossover and uniform mutation in constraints bounded domains", International Journal of Computer Mathematics, 2008

Publication

8 Liang-Yuh Ouyang, Chin-Chuan Wu, Kai-Wayne Chuang. "Economic order quantity with partial backorders under supplier credit", Journal of Information and Optimization Sciences, 2003

Publication

9

Chao-Kuei Huang, Deng-Maw Tsai, Ji-Cheng Wu, Kun-Jen Chung. "An optimal integrated vendor-buyer inventory policy under conditions of order-processing time reduction and permissible delay in payments", International Journal of Production Economics, 2010

Publication

1 %

10

Kun-Jen Chung, Chao-Kuei Huang. "An ordering policy with allowable shortage and permissible delay in payments", Applied Mathematical Modelling, 2009

Publication

1 %

11

"Information Technology and Applied Mathematics", Springer Science and Business Media LLC, 2019

Publication

<1 %

12

Ata Allah Taleizadeh. "Inventory Control Models with Motivational Policies", Springer Science and Business Media LLC, 2018

Publication

<1 %

13

Jie Min, Yong-Wu Zhou, Gui-Qing Liu, Sheng-Dong Wang. "An EPQ model for deteriorating items with inventory-level-dependent demand and permissible delay in payments", International Journal of Systems Science, 2012

Publication

<1 %

14

Astrid Wahyu Adventri Wibowo, Berty Dwi Rahmawati, Hasan Mastrisiswadi. "Video conferencing as a face-to-face online meeting app: user preference based on usability testing", Jurnal Sistem dan Manajemen Industri, 2021

Publication

<1 %

15

Liao, J.-J.. "An EOQ model with noninstantaneous receipt and exponentially deteriorating items under two-level trade credit", International Journal of Production Economics, 200806

Publication

<1 %

16

Mahdi Karimi, Seyed Jafar Sadjadi, Alireza Ghasemi Bijaghini. "An economic order quantity for deteriorating items with allowable rework of deteriorated products", Journal of Industrial & Management Optimization, 2019

Publication

<1 %

17

BAPPA MONDAL, Arindam Garai, Tapan Kumar Roy. "Optimization of generalized order level inventory system under fully permissible delay in payment", RAIRO - Operations Research, 2019

Publication

<1 %

18

Barun Khara, Jayanta Kumar Dey, Shyamal Kumar Mondal. "Effects of product reliability dependent demand in an EPQ model

<1 %

considering partially imperfect production",
International Journal of Mathematics in
Operational Research, 2019

Publication

19

Kun-Jen Chung. "Economic order quantity model when delay in payments is permissible", Journal of Information and Optimization Sciences, 1998

Publication

20

Moharana, U.C., and S.P. Sarmah. "Determination of optimal order-up to level quantities for dependent spare parts using data mining", Computers & Industrial Engineering, 2016.

Publication

21

Qinhong Zhang, Yu-Chung Tsao, Tsung-Hui Chen. "Economic order quantity under advance payment", Applied Mathematical Modelling, 2014

Publication

22

R. P. Tripathi, Shweta Singh Tomar. "Optimal order policy for time-dependent deteriorating items in response to temporary price discount linked to order quantity", Applied Mathematical Sciences, 2013

Publication

23

Singh, S R, and Himanshu Rathore. "Optimal payment policy for deteriorating item with

<1 %

<1 %

<1 %

<1 %

<1 %

preservation technology investment under trade credit and inflation", International Conference on Recent Advances and Innovations in Engineering (ICRAIE-2014), 2014.

Publication

24

Yanru Chen, Lu Yang, Yangsheng Jiang, M.I.M. Wahab, Jie Yang. "Joint replenishment decision considering shortages, partial demand substitution, and defective items", Computers & Industrial Engineering, 2018

<1 %

25

Horvat, L.. "A market game with the characteristic function according to the MRP and input-output analysis model", International Journal of Production Economics, 199903

<1 %

26

Hung-Chang Liao, Chih-Hung Tsai, Chao-Ton Su. "An inventory model with deteriorating items under inflation when a delay in payment is permissible", International Journal of Production Economics, 2000

<1 %

27

Lee, W.J.. "Optimal order quantities and prices with storage space and inventory investment limitations", Computers & Industrial Engineering, 199407

<1 %

Publication

28 Mukunda Choudhury, Chandan Mahato, Gour Chandra Mahata. "An integrated inventory model with capacity constraint under order-size dependent trade credit, all-unit discount and partial backordering", *RAIRO - Operations Research*, 2022

Publication

29 N Loedy, D Lesmono, T Limansyah. "An Inventory-Dependent Demand Model with Deterioration, All-Units Discount, and Return", *Journal of Physics: Conference Series*, 2018

Publication

30 Sankar Kumar Roy, Magfura Pervin, Gerhard Wilhelm Weber. "A two-warehouse probabilistic model with price discount on backorders under two levels of trade-credit policy", *Journal of Industrial & Management Optimization*, 2017

Publication

31 John A. Muckstadt, Amar Sapra. "Principles of Inventory Management", Springer Science and Business Media LLC, 2010

Publication

32 Jong Soo Kim, Won Chan Jeong. "A model for buyer and supplier coordination and information sharing in order-up-to systems", *Journal of Industrial & Management Optimization*, 2012

33

Yong He, Hongfu Huang. "Two-Level Credit Financing for Noninstantaneous Deterioration Items in a Supply Chain with Downstream Credit-Linked Demand", *Discrete Dynamics in Nature and Society*, 2013

<1 %

Publication

Exclude quotes Off

Exclude matches Off

Exclude bibliography On