

Effects of Novelty Seeking, Destination Quality And Motivation On Tourist Loyalty

M. Irhas Effendi, Dyah Sugandini, Yenni Sri Utami, Agus Sasmito Aribowo
Universitas Pembangunan Nasional Veteran Yogyakarta
dini@upnyk.ac.id

Keywords: Novelty Seeking, Destination Quality, Motivation, and Loyalty.

Abstract: This study aims to analyze tourist loyalty that is influenced by novelty-seeking, destination quality, and motivation. This research is a survey research using a questionnaire as a data collection tool. The sampling technique used is non-probability sampling, which is convenience sampling. This research is important because it justifies that tourists want to visit a destination again, even though these tourists have visited it. Previous research shows that tourists will rarely return to visit the same destination. The results of this research are expected to support research findings stating that tourists want to visit previous destinations if there are several influencing factors. This study uses international tourist respondents who visit tourist villages in the Special Region of Yogyakarta. PLS-SEM is used to analyze research data. The results showed that the effect of novelty seeking, destination quality, and motivation on loyalty mediated by tourist satisfaction was accepted.

1. INTRODUCTION

Rural tourism has a wide potential that is attractive as tourist visits. Previous research shows that the loyalty of tourists to visit rural tourism is influenced by previous experience (Rajaratnam et al., 2015), service quality (Butnaru and Miller, 2012); visitor motivation (Devesa et al., 2010) and tourist ratings (Weiermair and Fuchs, 1999). Previous studies have identified service quality attributes as factors that influence loyalty, both directly and indirectly (Rajaratnam et al., 2015). The study also shows that novelty-seeking, destination quality, and motivation affect not only tourist satisfaction but also tourist loyalty in general (Qu et al., 2011).

Although satisfaction is considered important in determining tourist loyalty, the strong relationship

Between satisfaction and return, visits have been questioned, because many satisfied customers from previous visits have not made return visits to previous tourist destinations (Dolnicar, Coltman and Sharma, 2013). Lepp and Gibson (2003) suggest that some tourists switch destinations for their next vacation, even though they are satisfied with previous visits. In addition, Rittichainuwat et al. (2003) stated that tourist satisfaction does not have an influence on their intention to re-visit a tourist

destination when there are other variables (eg, novelty-seeking). The opinion of Jang and Feng (2007) states that tourist satisfaction shows a positive effect on the intention to revisit in the short term, not the medium term, or the intention to revisit the long term. In this case, the tendency to look for novelty might be used to explain the behavior of migrating tourists, regardless of their satisfaction level.

This study contributes to expanding loyalty knowledge in rural tourism in the context of developing countries. This study develops measures to assess novelty seeking, the quality of rural tourism, and the motivation to visit rural tourism destinations (rural tourism). Tourist satisfaction is used as a mediator of these three variables in influencing tourist loyalty. The main objective of this study is to examine the direct effect of novelty seeking, perception of destination quality, and motivation mediated by satisfaction. This study focuses on rural tourism (rural tourism) in the Special Region of Yogyakarta.

2 LITERATURE REVIEW

2.1. Satisfaction and Loyalty

Customer satisfaction is a major concept in marketing literature and is an important objective of all business activities, including hospitality and tourism. Tourist satisfaction is very important for the survival and failure of the company (Williams and Uysal, 2013). Dominici and Guzzo (2010) define satisfaction as a business philosophy for creating customer value by anticipating and managing their expectations and demonstrating the ability and responsibility to meet their needs.

The study of return intentions is still an important field of research in tourism, which shows good intentions and tourist loyalty (Prayag et al., 2013). Empirical studies conducted by (Eusebio and Vieira, 2013) show that tourist satisfaction influences the intention of tourists to make a return visit and the willingness of tourists to recommend tourist destinations to others. Rajaratnam, Nair, Sharif, and Munikrishnan (2015), examined the direct effect of satisfaction on revisit intention in the context of rural tourism in Malaysia. The results of his research indicate that the perceived quality of the destination significantly influences satisfaction, which in turn affects revisit intention. Satisfied foreign or international tourists are more likely to revisit these destinations and recommend them to others, compared to domestic tourists.

2.2. Novelty seeking and tourist satisfaction

Kim and Kim (2015), states that novelty seeking is an important factor in the purpose of traveling, and has been identified as one of the factors causing

Tourists to be dissatisfied and not return to the same destination. The results of his research showed that novelty-seeking could influence the relationship between overall satisfaction and intention to revisit. Novelty seeking strengthens the relationship between overall satisfaction and the intention of tourists to find similar alternatives, and can further recommend attractions to others, and can create the potential for positive word of mouth communication. Keaveney (1995) states that novelty seeking is based on the theory of the search for variations (Hirschman, 1984; McQuisto, 1989). In the search behavior variations of consumers require stimulation by switching to products that are different from before (Um et al., 2006) or the tendency to look for novelty (Jang & Feng, 2007). Um, et al. (2006) and

Jang & Feng (2007) state that novelty-seeking has a more positive influence on return intention than satisfaction. Kozak, Huan, & Beaman, (2002), suggest that dissatisfied tourists may not return to the same destination for subsequent visits because of a desire to seek new experiences (Oppermann, 1998). In the same section Vena also states that tourists do not re-visit popular destinations because they eliminate wanting to search for variations and reduce the possibility of repeat visits (Bello & Etzel, 1985, Niininen, Szivas, & Riley, 2004)

Hypothesis 1: Novelty seeking influences loyalty Mediated by tourist satisfaction.

2.3. Destination Quality and tourist satisfaction

Service quality is often conceptualized as the difference between expected service performance and actual perceived service performance (Kara et al., 2005; Grönroos, 2001; Parasuraman et al., 1988). In some previous studies, service quality has been defined as the extent to which services meet customer needs or expectations (Dotchin and Oakland, 1994). Zeithaml et al. (1996) conceptualize service quality as the overall impression of the customer towards service weaknesses. The approach to tourism destination quality refers to three major perspectives, namely (1) quality theory from Juran, Deming, Ishikawa, Feigembaun and what develops and is known as total quality management (Mellat-Parast, 2015); (2) the quality awards mechanism which is widely adopted is adopted by countries, regions or organizations that have tried to promote quality (Titu and Bucur, 2016; Ziaei et al., 2016) and (3) the quality standards commonly known as Standards ISO 9000 (Schulingkamp and Latham, 2015).

Pérez, García, Sánchez, and Martínez (2017) conducted empirical research on Holguín tourist destinations, in Cuba with tourist respondents and tourism service providers, and were designed to provide information about the relationship between tourist satisfaction levels and destination quality variables. His research results show that quality service (assuming a higher level of quality) can lead to higher levels of customer satisfaction as well. Pandža Bajs (2015) states that service quality, emotions, experience, reputation as well as monetary or non-monetary costs affect perceived value conformation, and in turn will cause tourist satisfaction

Hypothesis 2: Destination quality influences loyalty, which is mediated by tourist satisfaction.

2.4. Motivation and loyalty of tourists

Motivation is a dynamic process that involves internal psychological factors such as choice, novelty, effort, and persistence over time (Jang and Feng, 2007). Hurtado and Paralera (2014) point out two of the most relevant motivational issues related to the tourism sector, namely the reasons people travel and what they expect from their visit (Yoon and Uysal, 2005). Hurtado and Paralera (2014) also stated that infrequent tourist visits munsul is a matter of motivation and satisfaction.

Lamont, 2014; and Kozak, 2002, show that in general, tourists travel because they are driven by internal reasons or because they feel attracted by a number of external variables related to tourist destinations. The driving factors associated with internal and emotional aspects are the desire to be alone, rested and relaxed, to adventure, or to interact socially. Hurtado and Paralera (2014) state that in tourism, motivation explains the reasons for traveling (why); choice of destination made (where); and the results obtained (satisfaction).

Hypothesis 3: Motivation influences loyalty, which is mediated by tourist satisfaction.

3. RESEARCH METHODS

The research was conducted in the form of a survey, using an explanatory research approach through hypothesis testing (Sekaran, 2003). Convenience sampling is used as a sampling technique because there are no specific restrictions on the sample taken. The sample range in this study covers all foreign tourists visiting tourist villages in DIY, regardless of the length of stay, tourist destinations, the origin of tourists, gender, and age during the data collection period. The research object taken was the tourism object of Tembi Tourism Village, Banyubiru, Langgeran, Kota Besar, and Brajan. The number of samples in this study was 200 respondents. Five constructs were measured using a 5-point Likert scale. Data analysis techniques using PLS-SEM.

4 RESULTS OF RESEARCH

Respondents Characteristics of survey respondents can be seen in table 1.

Table 1. Characteristics of respondents

Characteristics		category%
Gender	M	45
	F	55
Education	Junior High School	5%
	Diploma	21%
	Bachelor	44%
	Other	11%
Job	civil servant	15 %
	Entrepreneur	3%
	Student	62%
	Retired	18%
	Others	2%
Income level (foreign tourists)	<\$ 1,000	
	\$ 1,000 - \$ 1,999	10%
	\$ 2,000 - \$ 2,999	46%
	≥ \$ 3,000	25%
		19%
Total		100%

Results of Quantitative Analysis Results of data processing techniques using the SEM method based on Partial Least Square (PLS) requires two stages (1) Outer model and (2) Inner Model.

4.1 Outer Model to test instrument

Banksmodel for testing the focuses validity(validity)and reliability(reliability)of each indicator on the latent variables. Outer models with reflective indicators are evaluated through: convergent validity, discriminant validity, and Average Variance Extracted (AVE). The convergent validity value is the value loading factor on the latent variable with its indicators. Expected value > 0.7 (Ghozali, 2015). The discriminant validity value is useful to know whether the variable has an adequate discriminant by comparing the loading value of the intended variable must be greater than the loading value with other variables.

Table 2. Test convergent validity, discriminant validity (Outer Loading)

	Motivation	Novelty	Destinatio n Quality	Satisfactio n	Loyalty
K1				0.773	
K2				0820	
K3				0820	
M1	0.784				
M2	0.810				
M3	0.741				
M4	0.776				

N1		0.741			
N3		0864			
N4		0826			
N5		0819			
Q1			0.776		
Q2			0769		
Q3			0822		
Q4			0.788		
RI1					0802
RI2					0.827
RI3					0.787

Based on results test Outer Loading seen from convergent validity and discriminant validity can be concluded that most of the instruments that make up each variable latent are valid. This is indicated by a value factor loading greater than 0.7. To show convergent validity can be demonstrated through unidimensionality, which can be expressed using the average value of the extracted variant (Average Variance Extracted / AVE). Expected AVE value > 0.5. The AVE values generated in the study can be shown in table 3.

Table 3. AVE value for testing convergent validity

	Average Variance Extracted (AVE)	Information
Motivation	0.605	Valid
Novelty	0.662	Valid
Destination Quality	0.622	Valid
Satisfaction	0.648	Valid
Loyalty	0.649	Valid

Test Reliability is a measure of the internal consistency of the indicators of a construct that shows the degree to which each indicator indicates a latent construct generally. The results of internal consistency reliability testing for each construct using the coefficient Cronbach's Alpha have met rules of thumb the required, namely ≥ 0.7 (Hair et al., 1998; Sekaran, 1999). Other reliability measurements in this study were conducted by conducting a test composite reliability. It is said to be reliable if it has a value composite reliability ≥ 0.7 .

The results of reliability testing can be shown in Table 4.

Table 4. Results of the Validity Test of the Research Instrument

	Cronbach's Alpha	Composite Reliability
Motivation	0.783	0.860
Novelty	0.829	0.887
Destination Quality	0.798	0.868
Satisfaction	0.728	0.847
Loyalty	0.729	0.847

4.2 Inner Model for Testing the Path Analysis

The inner Model (structural model) is often referred to as an influence test/hypothesis test. Testing the inner workings of the model was done by observing the coefficient of determination (R^2), Q^2 predictive relevance, and significance of the parameter coefficient t-statistics. $Q^2 > 0$ indicates that the observed values have been reconstructed well so that the model has predictive relevance. While the value of $Q^2 < 0$ indicates the absence of predictive relevance. The R^2 value of 0.67 is categorized as substantial, R^2 value of 0.33 is categorized as moderate, R^2 value of 0.19 is categorized as weak, R^2 value of > 0.7 is categorized as strong (Chin, 1988). The test results of R^2 can be seen in Table 5.

Table 5. The test results of R^2

	R Square	R Square Adjusted	Description
Satisfaction	0.728	0.724	Substantial
Loyalty	0.735	0.734	Substantial

The value of Q^2 has a value in the range $0 < Q^2 < 1$, where the closer to 1 means the better the model. The quantity of Q^2 is equivalent to the coefficient of total determination in the path analysis. The calculation result of Q^2 predictive relevance is 0.784. From testing R^2 and Q^2 is seen that the model established is robust. So that hypothesis testing can be done. Table 6 shows the results of the structural test /output inner model (influence test/hypothesis test).

Table 6. Test results for path analysis

	Original Sample (O)	Sample Mean (M)	Standard Deviation (STD EV)	T Statistics (O/STD EV)	P Values	Information
Novelty → Satisfaction	0.214	0.21 9	0.075	2.860	0.00 4	Significant
Quality → Satisfaction	0.362	0.35 8	0.087	4.182	0.00 0	Significant
Motivation → Satisfaction	0.321	0.31 9	0.095	3,378	0.00 1	Significant
Satisfaction → Loyalty	0.858	0.85 5	0.032	27,04 4	0,00 0	Significant

The results of the path coefficient test shown in table 6 show that all paths are significantly positive. It can be seen from the value oft greater than t table. All values of arithmetic greater than t table with a significance level of 5%, namely (1.96). In addition, when viewed from the p-value ≥ 0.05 , the entire path is significant. Here is a picture of PLS-SEM results Bootstrapping.

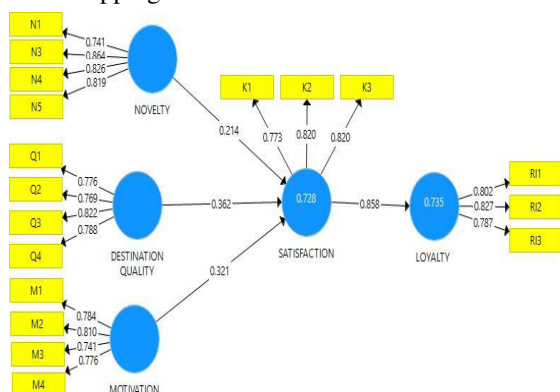


Figure 1: PLS-SEM Model Algorithm for loyalty

The results of testing the indirect effect / mediating effect of each variable can be seen in table 7.

Table 7. The coefficient of indirect effect/mediation

	Specific Indirect Effects
Novelty → Satisfaction → Loyalty	0.183
Quality → Satisfaction → Loyalty	0311
Motivation → satisfaction → Loyalty	0275

4.3 Results of testing hypothesis

The first hypothesis states that the novelty-seeking effect on loyalty mediated to the satisfaction of tourists. According to the table, Table 6 is known that the effect of novelty-seeking to the satisfaction of 0214 with value of 2.860 and a p-value of 0.004. The effect of satisfaction on loyalty is 0.858, with a value count of 27.044 and a p-value of 0.000. Based on table 7, it is known that the influence of novelty-seeking loyalty with mediated tourist satisfaction is 0.183 with a Sobel test of 2.837, which is greater than 1.96 with a significance level of 5%. Thus the first hypothesis is accepted.

The second hypothesis states that destination quality influences loyalty by mediating tourist satisfaction. According to the table, Table 6 is known that the effect of quality destination on satisfaction for 0362 with a value of count equal to 4,182 and a p-value of 0.004. Based on table 7, it is known that the influence of destination quality on loyalty with mediated tourist satisfaction is 0.311 with a Sobel test of 4.112, which is greater than 1.96 with a significance level of 5%. Thus the second hypothesis is accepted.

The third hypothesis states that motivation influences loyalty by mediating tourist satisfaction. According to the table, Table 6 is known that the effect of motivation on the satisfaction of 0321 with a value of tcount equal to 3,378 and a p-value of 0.001. Based on table 7, it is known that the influence of destination quality on loyalty with mediated tourist satisfaction is 0.275 with a Sobel test of 3.352, which is greater than 1.96 with a significance level of 5%. Thus the third hypothesis is accepted.

5 DISCUSSION

This study shows evidence that the antecedents of tourist loyalty are proxied by revisit intention, namely the perception of the quality of novelty seeking, the quality of destinations, and the motivations supported. Loyalty model testing using PLS-SEM also shows a fit model. Novelty seeking, Destination quality and motivation influence loyalty by mediating tourist satisfaction. Variation search behavior (novelty-seeking) many travelers do because they want to experience never expected before, the desire to get us something, and their spirit of adventure travelers. This allows tourists to return to visit tourist destinations if they desire to get new experiences has not been fulfilled on previous visits. Tourist satisfaction with visits can influence return visits. This study supports the results of research conducted by Kim and Kim (2015), which states that novelty seeking is an important factor and causes women are dissatisfied and do not return to the same goal. Um, et al., (2006) and Jang & Feng (2007) also argue that tourists often search for variations by switching to products that are different from before or tendency to look for novelty. Kozak, Huan, & Beaman (2002) also show that dissatisfied tourists may not return to the same destination for subsequent visits because of a desire to seek new experiences (Oppermann, 1998).

The results of this study show evidence that the quality of the destination can increase tourist satisfaction, which will ultimately increase return visits/tourist loyalty. Tourists feel that the entertainment provided by the tourist village, the availability of information, cleanliness, and security in the tourist village is good, so this tourist feels satisfied and desires to make a return visit to the tourist village. The results of this study support Kara et al., (2005); Dotchin and Oakland (1994); Mellat-Parast (2015); Titu and Bucur (2016) and Ziaei et al., (2016) which show that quality service leads to high levels of customer satisfaction and will cause tourists to return.

The effect of destination quality on tourist satisfaction will ultimately increase return visits / supported tourist loyalty. Tourists feel that the entertainment provided by the tourist village, the availability of information, cleanliness, and security in the tourist village is good, so this tourist feels satisfied and desires to make a return visit to the tourist village. The results of this study support Kara et al., (2005); Dotchin and Oakland (1994); Mellat-Parast (2015); Titu and Bucur (2016) and Ziaei et al., (2016) which show that quality service leads to

high levels of customer satisfaction and will cause tourists to return. The influence of motivation on loyalty is mediated by the satisfaction of supported tourists. Tourists visit the tourist village in DIY because of the motivation to complete their vacation, learn the culture of the local community, enjoy another life in the village. The motivation is strong enough to visit the tourist village causing tourists to feel satisfied with his visit. So that these tourists intend to make a return visit to the tourist village in the future. Tourist motivation to visit this strong tourist village can increase tourist loyalty in the tourist village. The results of this study support the findings of research conducted by Hurtado and Paralera (2014), which states that the cause of return visits to tourist destinations is motivation and satisfaction. Lamont, (2014); and Kozak, (2002) also show that tourists visit a destination because it is driven by an interest in internal variables such as motivation. Hurtado and Paralera (2014) show that the driving factor that usually arises for visiting a tourist destination is the desire to relax and relax and interact socially.

6 CONCLUSIONS

This study focuses only on tourism villages, so that research with other settings is needed to improve the generalization of the findings of this research. In addition, the tourism industry also has different characteristics. This study also only measures behavioral loyalty, that is, the intention to revisit tourist destinations, it would be better in further studies to examine other dimensions of loyalty, such as word of mouth, desire to recommend and commitment. Besides the variable novelty seeking, destination quality and motivation, there are other variables that need to be considered in predicting consumer loyalty in the tourist village, namely trust, attraction, empathy from the community in the tourist village, the hospitality of the people. In addition, several variables, such as perceived value, complaint intention, reputation, and experience, should be added in predicting loyalty.

REFERENCES

- Bello, D. C., & Etzel, M. J. (1985). "The role of novelty in the pleasure travel experience". *Journal of Travel Research*, 24(1), 20–26.
- Butnaru, G.I. and Miller, A. (2012). "Conceptual approaches on quality and theory of tourism Services".

- Procedia Economics and Finance, Vol. 3 No. 4, pp. 375-380.
- Chin, W.W. (1998), Issues and opinion on structural equation modeling, *MIS Quarterly*, 22(1), VII-XVI.
- Chin, W.W. (1998). The Partial Least Squares approach for Structural Equation Modeling, in Marcoulides, G.A. (Ed.), *Modern Methods for Business Research*, Lawrence Erlbaum Associates, Mahwah, NJ.
- Devesa, M., Laguna, M. and Palacios, A. (2010). "The role of motivation in visitor satisfaction: empirical evidence in rural tourism". *Tourism Management*. Vol. 31. No. 4, pp. 547-552.
- Dolnicar, S., Coltman, T., & Sharma, R. (2013). "Do satisfied tourists really intend to come back? Three concerns with empirical studies of the link between satisfaction and behavioral intention". *Journal of Travel Research*. Vol. 54(2), pp. 152-178.
- Dominici, G., and Guzzo, R. (2010). "Customer satisfaction in the Hotel Industry: A case study from Sicily". *International Journal of Marketing Studies*. Vol. 2, No 2, pp. 3-12.
- Dotchin, J. A., and Oakland, J. S. (1994). "Total Quality Management in Services Part 2: Service Quality". *International Journal of Quality and Reliability Management*. 11(3), 27-42.
- Eusebio, C., and Vieira, A.L. (2013). "Destination attributes' evaluation, satisfaction and behavioural intentions: a structural modeling approach", *International Journal of Tourism Research*. Vol.15. No.1, pp.66-80.
- Ghozali, Imam. (2015). *Aplikasi Analisis Multivariate dengan Program IBM SPSS 23*. Semarang : Badan Penerbit Universitas Diponegoro
- Grönroos, C. (2001). "The perceived service quality concept-a mistake?" *Managing Service Quality*. 11(3), 150-152.
- Hair, Jr., Anderson, R.E., Tatham, R.L & Black, W.C (1998), *Multivariate Data Analysis*, New Jersey: Prentice-Hall International, Inc.
- Hirschman, E. C. (1984). "Experience seeking: A subjectivist perspective of consumption". *Journal of Business Research*. Vol.12, pp. 115-136.
- Hurtado dan Paralera (2014)
- Hurtado, J. M. Ramírez and Paralera, M. C (2014). "assessing motivation and satisfaction in an emerging kind of sports tourism: paddle tennis". *Enlightening Tourism. A Pathmaking Journal*. Vol 4, No 2. pp. 168-194.
- Jang, S.S., and Feng, R. (2007). "Temporal destination revisit intention: the effects of novelty seeking and satisfaction", *Tourism Management*. Vol. 28 No. 2, pp. 580-590.
- Kara, A., Lonial, S., Tarim, M., and Zaim, S. (2005). "A paradox of service quality in Turkey: The seemingly contradictory relative importance of tangible and intangible determinants of service quality". *European Business Review*. Vol. 17(1), pp. 5-20.
- Keaveney, S. (1995). "Customer switching behaviour in service industries: An exploratory study". *Journal of Marketing*, 59 (2), pp. 71-82.
- Kim, Sungsoo., and Kim, Heeyoung. (2015). "Moderating effects of tourists' novelty- seeking tendencies on the relationship between satisfaction and behavioral intention". *Tourism Analysis*. Vol. 20, pp. 511-522
- Kozak, M., Huan, T., and Beaman, J. (2002). "A systematic approach to non-repeat and repeat travel". *Journal of Travel and Tourism Marketing*. Vol. 12(2), pp.19-38.
- Kozak, M. (2002). "Comparative analysis of tourism motivations by nationality and destinations". *Tourism Management*. Vol. 23, No. 3, pp. 221-232.
- Lamont, M. (2014). "Authentication in sports tourism". *Annals of Tourism Research*. Vol. 45, March, pp. 1-17.
- Lepp, A., and Gibson, H. (2003). "Tourist roles, perceived risk and international tourism". *Annals of Tourism Research*. Vol. 30, pp. 606-624.
- McQuiston, D. H. (1989). "Novelty, complexity, and importance as causal determinants of industrial buyer behavior". *Journal of Marketing*. 53, 66-79.
- Mellat-Parast M. (2015). "A longitudinal assessment of the linkages among the Baldrige criteria using independent reviewers' scores". *International Journal of Production Economics*. 164.
- Niininen, O., Szivas, E., and Riley, M. (2004). "Destination loyalty and repeat behaviour: An application of optimum stimulation measurement". *International Journal of Tourism Research*. Vol. 6, pp. 439-447.
- Oppermann, M. (1998). "Destination threshold potential and the law of repeat visitation". *Journal of Travel Research*. Vol. 37, pp. 131-137.
- Pandža Bajs I. (2015). "Tourist perceived value, relationship to satisfaction, and behavioral intentions, The Example of the Croatian tourist destination Dubrovnik". *Journal of Travel Research*. Vo. 54(1).
- Parasuraman, A., Zeithaml, V., and Berry, L. (1988). "SERVQUAL: A multiple-item scale for measuring consumer perceptions of service quality". *Journal of Retailing*. Vol. 64 (1), pp. 29-40.
- Pérez C.R., García V.G., Sánchez R.A., and Martínez V.R. (2017). "Quality management and customer satisfaction in a tourist destination, a structural equation analysis". *Polish Journal Of Management Studies*. Vol.16 No.1, pp.175-186.
- Prayag, G., Hosany, S., and Odeh, K. (2013). "The role of tourists' emotional experiences and satisfaction in understanding behavioural intentions". *Journal of Destination Marketing and Management*. Vol. 2 No. 2, pp. 118-127.
- Qu, H., Kim, L.H. and Im, H.H. (2011). "A model of destination branding: integrating the concepts of the branding and destination image". *Tourism Management*. Vol. 32 No. 3, pp. 465-476.
- Rajaratnam, S.D., Munikrishnan, U.T., Pahlevan Sharif, S. and Nair, V. (2014). "Service quality and previous experience as a moderator in determining tourists' satisfaction with rural tourism destinations in Malaysia: a partial least squares approach". *Procedia-*

- Social and Behavioural Sciences. Vol. 144 (20 August), pp. 203-211.
- Schulingkamp R.C., and Latham J. R. (2015). "Healthcare performance excellence: A comparison of Baldrige Award recipients and competitors". *Quality Management Journal*. Vol. 22(3).
- Sekaran, U. (1992). *Research Methods for Business – A skill building approach*. 2nd Ed. United States of America: John Wiley & Sons, Inc.
- Sekaran, U. (2003). Sekaran, U. (1992). *Research Methods for Business – A skill building approach* 4th Ed. United States of America: John Wiley & Sons, Inc.
- Rajaratnam, S. D., Nair, V., Sharif, S. P., and Munikrishnan, U. T. (2015). "Destination quality and tourists' behavioural intentions: rural tourist destinations in Malaysia". *Worldwide Hospitality and Tourism Themes*. Vol. 7. Issue. 5, pp. 463 - 472
- Rittichainuwat, B. N., Qu, H., and Leong, J. K. (2003). "The collective impacts of a bundle of travel determinants on repeat visitation". *Journal of Hospitality and Tourism Research*. Vol. 27(2), pp. 217–236.
- Titu, M.A., and Bucur, A. (2016). "Models for quality analysis of services in the local public administration". *Quality and Quantity*. Vol. 50(2).
- Um, S., Chon, K. and Ro, Y. (2006). "Antecedents of revisit intention". *Annals of Tourism Research*. Vol. 33(4), pp. 1141-58.
- Weiermair, K. and Fuchs, M. (1999). "Measuring tourist judgment on service quality". *Annals of Tourism Research*. Vol. 26. No. 4, pp. 1004-1021
- Williams, J. A., and Uysal, M. (2013). *Current issues and development in hospitality and tourism satisfaction*. The Haworth Press Inc., New York, USA.
- Yoon, Y., and Uysal, M. (2005). "An examination of the effects of motivation and satisfaction on destination loyalty: A structural model". *Tourism Management*. Vol. 26 (1), 45-56.
- Zeithaml, V.A., Berry, L.L., and Parasuraman. (1996). "A. The behavioural consequences of service quality". *Journal of Marketing*. pp. 31-46.
- Ziaei A.E., Alirezaee H., Riyahi A., and Shirazi P.S. (2016). "Assess causal relationships of EFQM model criteria using fuzzy dematel (case study: Tovseeh Taavon bank)". *International Business Management*. Vol. 10(11).